

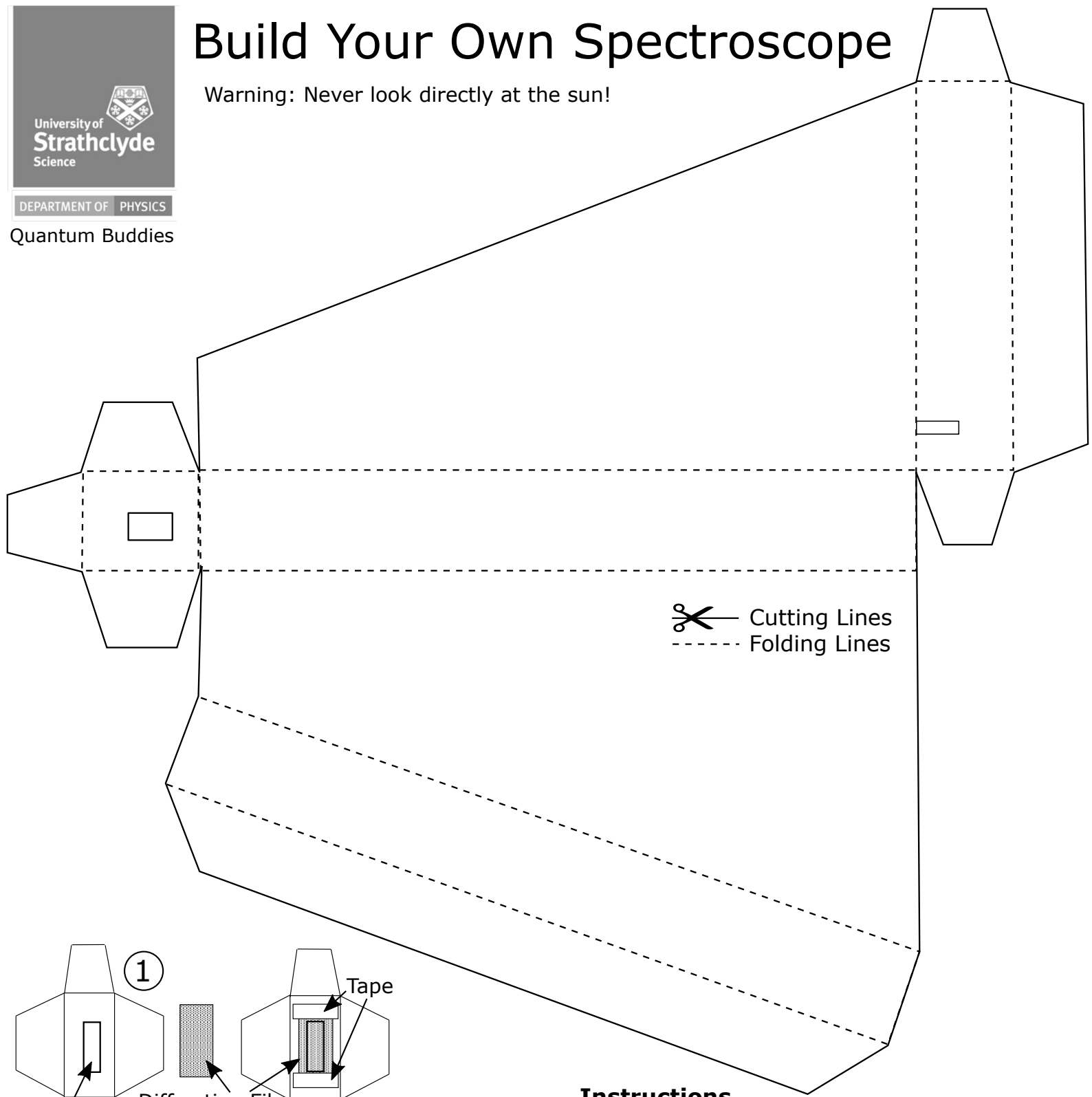
Build Your Own Spectroscope

Warning: Never look directly at the sun!

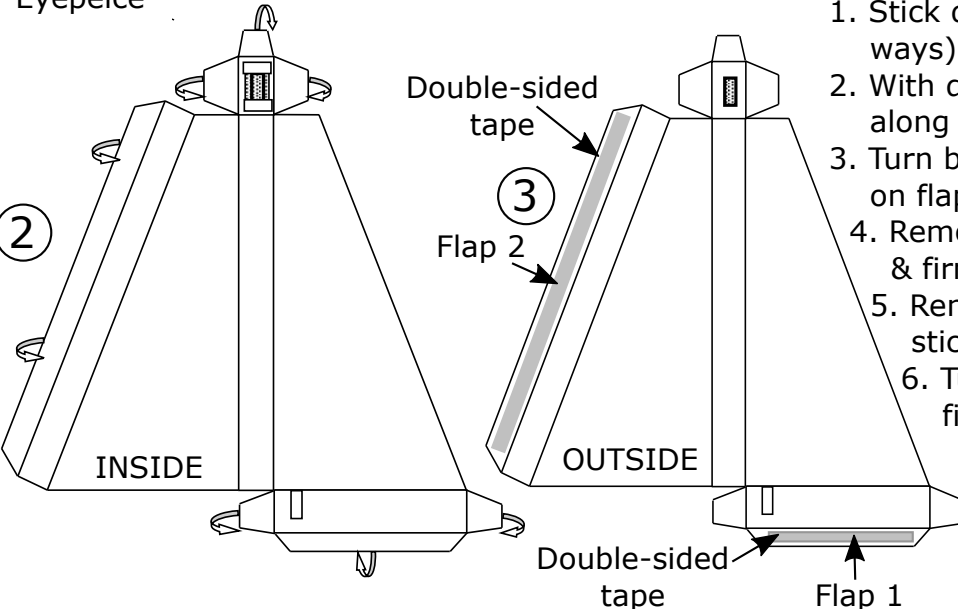
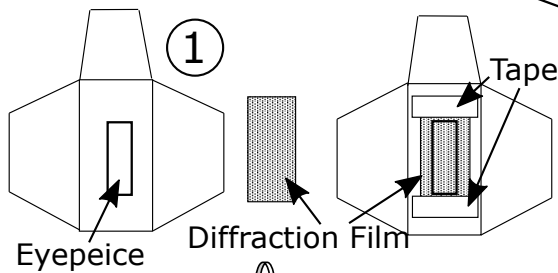


DEPARTMENT OF PHYSICS

Quantum Buddies



 Cutting Lines
----- Folding Lines



Instructions

1. Stick diffraction grating over eye peice (length ways) using celloctape
2. With diffraction film side up, fold the box up along all the template's dotted lines.
3. Turn box over and put double sided sticky tape on flaps 1 and 2.
4. Remove backing from tape on flap 1, fold up & firmly stick box together.
5. Remove backing from tape of flap 2, fold & stick to finish the main section of the box.
6. Tuck the eyepiece flaps inside the box to finish

